

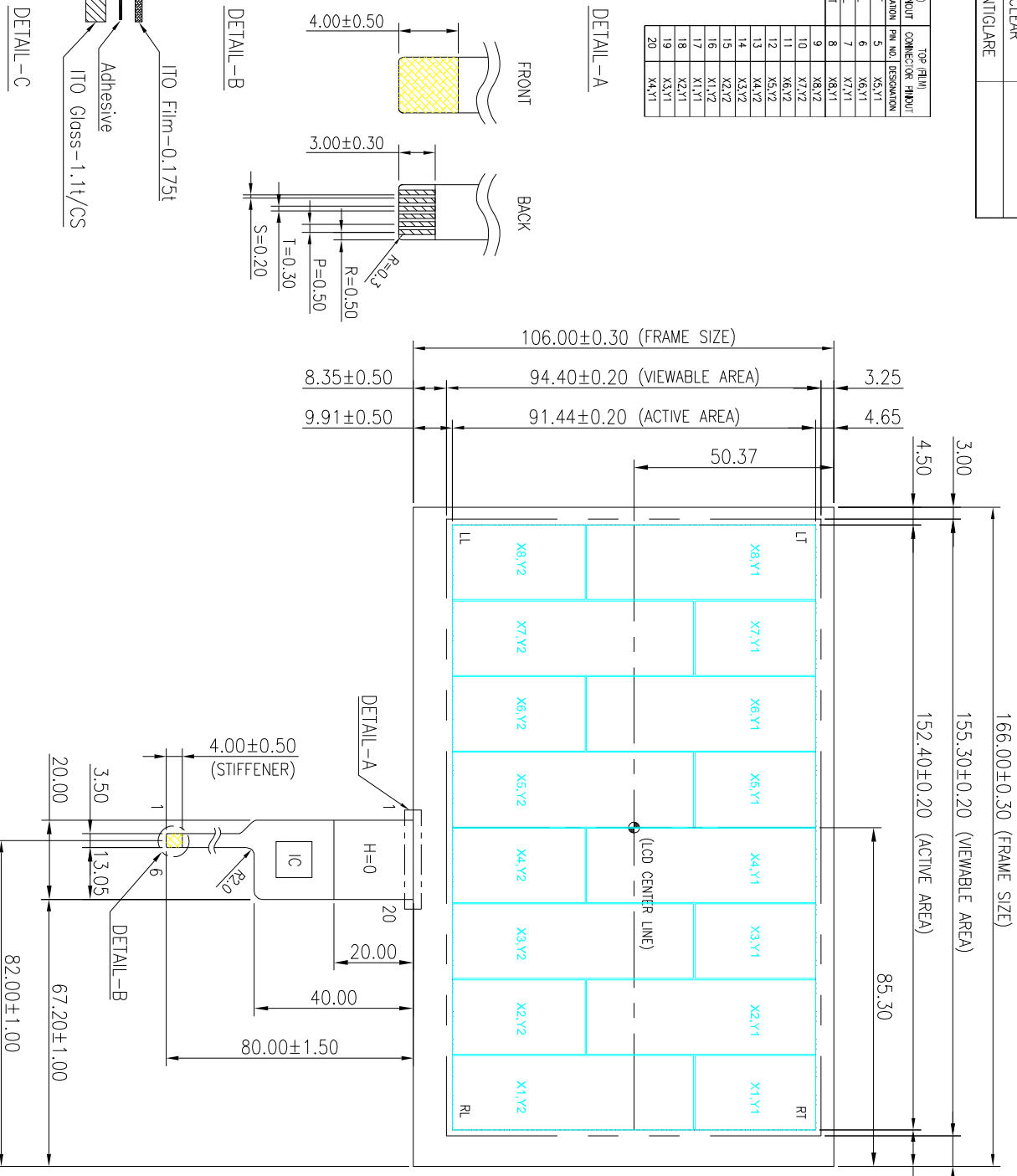
TOUCHSCREEN TABULATION			
PART NUMBER	TYPE	PART NO.	
5MB053C	CLEAR		
5MB053N	ANTI-GLARE		

REV.	ECN NO.	DESCRIPTION	DATE

BOT (GLASS) CONNECTOR PINOUT	TOP (FILM) CONNECTOR PINOUT
1 LL	5 X5.Y1
2 LL	6 X6.Y1
3 RL	7 X7.Y1
4 RT	8 X8.Y1
	9 X8.Y2
	10 X7.Y2
	11 X6.Y2
	12 X5.Y2
	13 X4.Y2
	14 X3.Y2
	15 X2.Y2
	16 X1.Y2
	17 X1.Y1
	18 X2.Y1
	19 X3.Y1
	20 X4.Y1

PIN NO.	DESIGNATION
1	VDD
2	SCL
3	SDA
4	GND
5	INT
6	RST

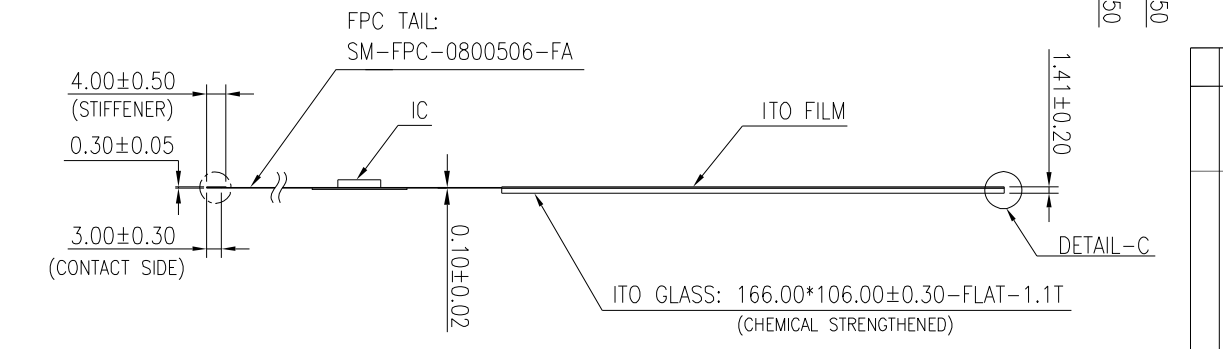
PIN NO.	DESIGNATION
1	VDD
2	SCL
3	SDA
4	GND
5	INT
6	RST



DETAIL-A

DETAIL-B

DETAIL-C



DESCRIPTION	SM-1M5-0001	DATE	JUN.14, 2011	APPROVED	Rev.	A
MODEL	T070C-5MB053X-0S1150-080PN	SCALE	-/-	DESIGN	Page	1 of 1
UNIT	mm.	DRAWING	Sign	B-Page	of	